

Bifold Installation Instructions



Safety

- Read and fully understand ALL manufacturer's instructions before beginning. Failure to follow proper installation instructions may result in the denial of warranty claims for operational or performance problems.
- Use safe lifting techniques.
- Wear protective gear (e.g. safety glasses, gloves, ear protection, etc.)
- Operate hand/power tools safely and follow manufacturer's operating instructions.
- Heed material manufacturer's handling and application instructions.
- If disturbing existing paint, take proper precautions if lead paint is suspected (commonly used before 1979). Your regional EPA (www.epa.gov/lead) or Consumer Product Safety Commission offices provide information regarding regulations and lead protection.

WARNING: Drilling, sawing, sanding or machining wood products can expose you to wood dust, a substance known to the state of California to cause cancer. Avoid inhaling wood dust or use a dust mask or other safeguards for personal protection. For more information go to www.P65Warnings.ca.gov/wood.

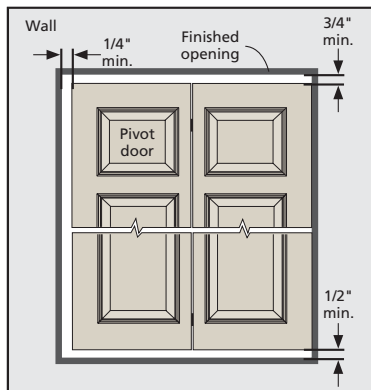
Storage and Handling

- Deliver doors to the building site after the plaster, drywall and/or concrete are dry.
- If the doors are being stored at the job site and not for immediate installation, the top, bottom and sides must be sealed.
- Store flat on a level surface in a clean, dry, well ventilated building. Protect from dirt, water and abuse. Allow air circulation. Cover the top door with a moisture barrier. Do not lean the doors vertically against a wall or other structure.
- Doors should always be handled with clean hands or while wearing clean gloves.
- Doors should be lifted and carried when being moved, not dragged across one another.
- Doors should be stored at least 10' away from any heat source. Excessive heat on a door creates uneven drying which results in warping, splitting and bowing on the door surfaces.
- Doors should be climatized to the average prevailing humidity and temperature before hanging for at least 48 hours. In below-zero or extreme temperatures, doors should be stored properly in a dry building at normal room temperatures for at least 72 hours before hanging.

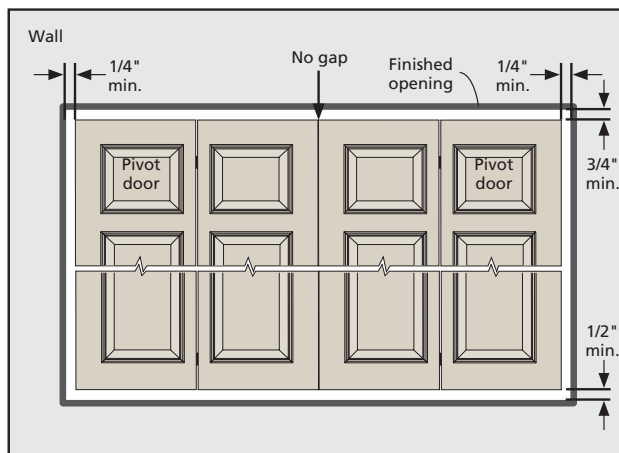
Inspect Finished Opening

The width size specification (finished opening size) shown on the bifold packaging is 1/2" larger than the bifold set to allow for at least a 1/4" gap between the side jamb and pivot door (door secured to the floor and head jamb). Double units should have at least 1/4" gap between both side jambs and no gap between the doors that meet in the middle.

The height size specification (finished opening size) shown on the bifold packaging is 1-1/2" larger than the bifold set to allow for the track to be installed above the door set and the lower bracket installed below the door set.

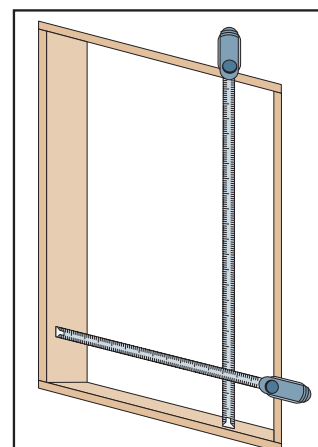


Single Bifold Set



Double Bifold Set

- Measure height and width of finished wall opening and verify it is no more than 1/4" larger or smaller than the stated opening size on the packaging.
- Once the door set(s) are installed, there is an additional hardware adjustment of up to 3/8" to center the sets in the finished opening.
- If the finished opening is too large, filler material, such as a 1" x 6" piece of pine trim can be tacked into the opening to bring it to the correct size.
- If the finished opening is too small (1/2" or less), 1-3/8" thick hollow or solid core molded and flush doors may be trimmed 1/4" on each side as necessary. Trimming any other bifold type is not recommended. For the best appearance, trim an equal amount from opposite sides. To minimize chipping, stick masking tape along the cut line to each face of the slab. Make the cuts with a fine toothed circular saw.
- If the opening is too far out of specification, or if you are not confident trimming, you can order custom sizes from our manufacturing locations to fit the finish opening, or contact a building professional for assistance. Contact us or a dealer/distributor for options.



For Retrofit Installations

For retrofit installations remove the old door and contact your local waste management entities for proper disposal or recycling of products removed.

Remove Packaging

Remove shipping materials such as corner covers, shipping blocks or pads.

Inspect Doors

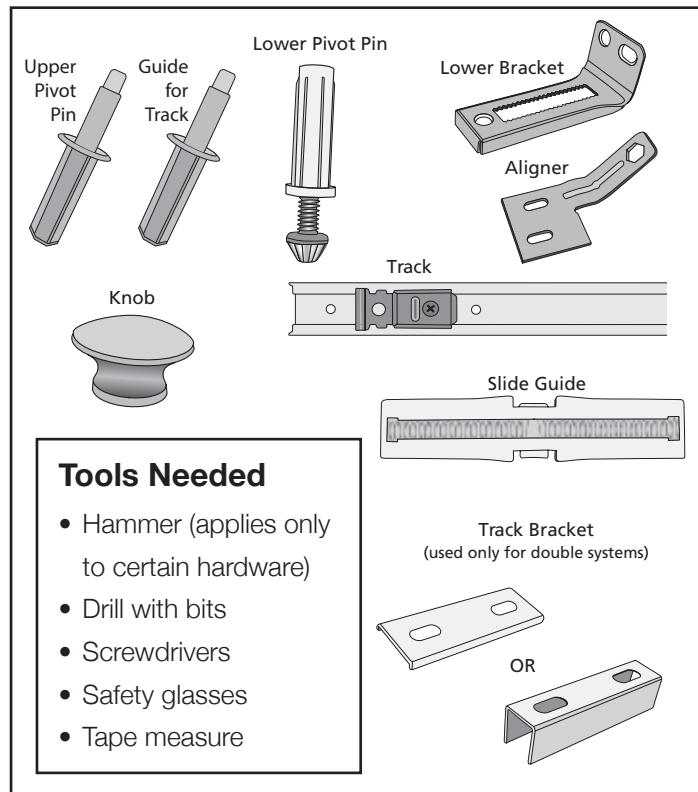
- When doors are received they must be inspected immediately for quality, including correct size, machining, color, design, cosmetic damage, specie of veneer and finish, if factory finished.

If any of the above conditions represent a concern, do not install the door. Contact your dealer or distributor for recommendations.

Bifold Installation Instructions

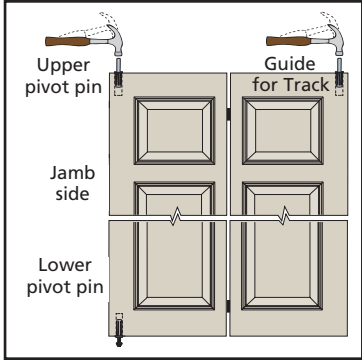
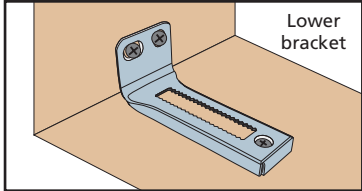
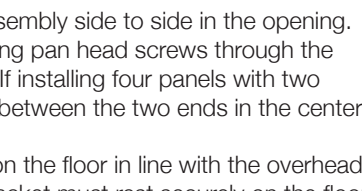
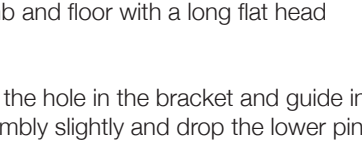


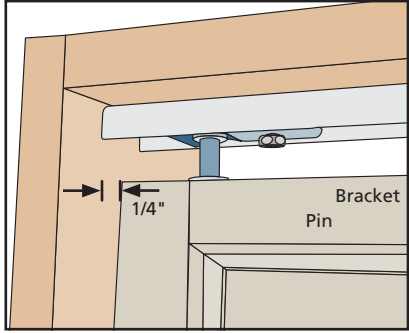
Parts Included



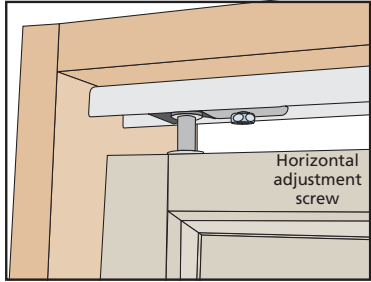
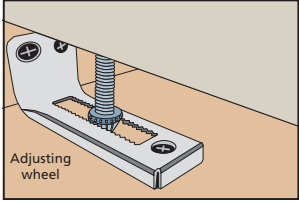
Tools Needed

- Hammer (applies only to certain hardware)
- Drill with bits
- Screwdrivers
- Safety glasses
- Tape measure

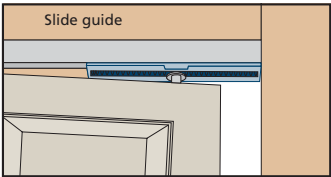

- Using a hammer, gently tap pivot pins and guide into the pre-drilled holes in the locations shown.
 
- Position overhead track in opening with the open side down and the bracket end toward the jamb. Center the track, or allow at least 3/4" between the track and the front of the opening. If installing a double set with two tracks, insert the track bracket into the two ends where they meet in the middle and push the tracks together. The holes in the bracket should align with the tracks. Center the entire assembly side to side in the opening. Secure the track with the long pan head screws through the pre-drilled holes until snug. If installing four panels with two tracks, use a track bracket between the two ends in the center.
 
- Position the lower bracket on the floor in line with the overhead track. The bottom of the bracket must rest securely on the floor or carpet. Fasten to the jamb and floor with a long flat head screw through each hole.
 
- Place the upper pivot pin in the hole in the bracket and guide in the track. Lift the door assembly slightly and drop the lower pin in the lower bracket.
 

- Verify there is a 1/4" clearance between the pivot door and the jamb. Four panel assemblies should be snug at the middle. If adjustments are necessary, door panels should be folded, in some cases removed, to gain access to the adjustment screws.
 

To adjust horizontally:

- At the top, loosen the screw in the top pivot bracket and move toward or away from the jamb until there is 1/4" clearance. Re-tighten.
 
- At the bottom, lift assembly and move the adjusting wheel toward or away from the jamb until doors are plumb with jamb, then lower into bracket.
 

To adjust vertically:

- Lift assembly slightly until the adjustment wheel clears the slot in the lower bracket. Be sure the teeth lock firmly into bracket when finished.
 
- Snap the slide guide into the lead door end of the track as shown, or in the center of the track between guides in a four door installation. If using a slide guide, seat lead door guide pin between the two springs in the guide as shown.
 

Complete Installation:

For four door configurations, mount an aligner as shown on the back side of each lead door.

For best operational performance and aesthetic appeal, install the door knob in the center of the middle rail of the lead door(s) (panel without pivot hardware). The knob, however, can also be installed in any other location on the lead door if desired. Drill a hole slightly smaller than the screw and attach knob.

NOTE: Unless drilling the knob attachment hole close to an edge on a hollow core door, it will likely be in a hollow part of the door. This does not cause problems and the door material is sufficiently strong if the screw is snug but not over tightened.

